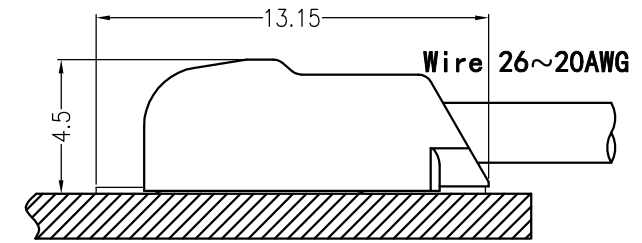


REV	ECN No.	DESCRIPTION	DESIGN	DATE
A0		Release	吴丹平	2016.05.04



Installation drawing

主要技术参数 Main Specifications

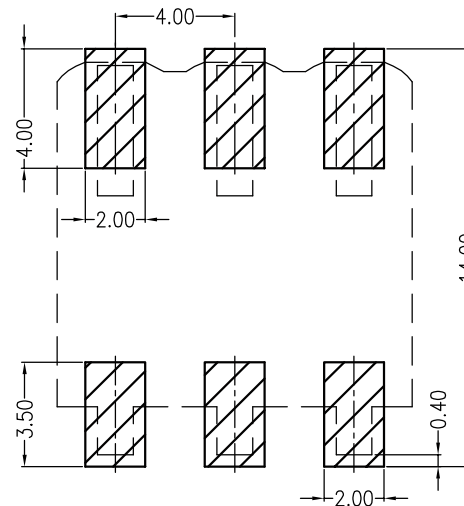
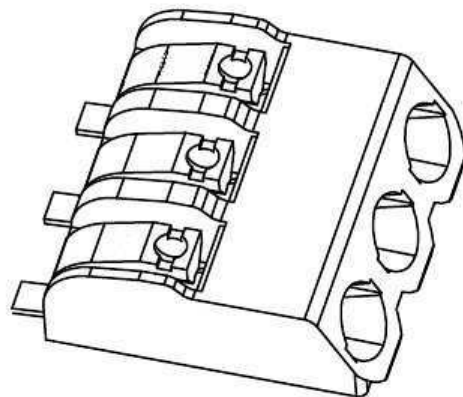
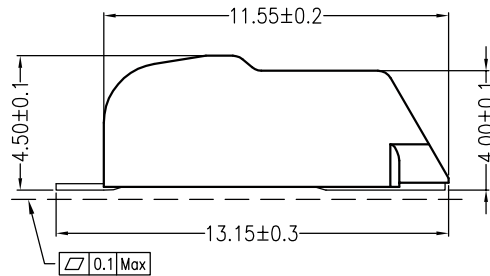
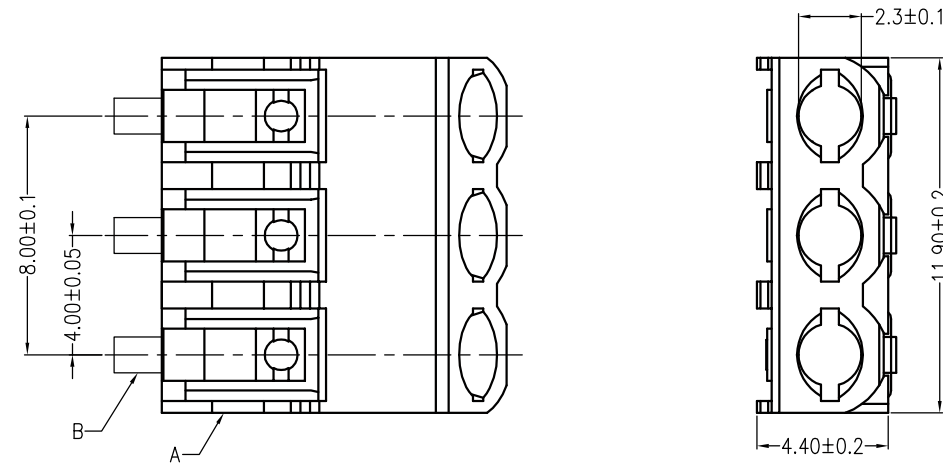
- 线数 (Poles): 01 to 03P
- 接触电阻 (Contact resistance):  $\leq 20m\Omega$
- 绝缘电阻 (Insulation resistance):  $\geq 800M\Omega$
- 额定电压 (Rated voltage): 250V AC DC
- 额定电流 (Rated current): 9.0A AC DC
- 耐电压 (Withstand Voltage): 800V AC/minute
- 温度范围 (Temperature Range):  $-25^{\circ}C \sim +105^{\circ}C$



ITEM	COMPONENT	Q'TY	MATERIAL	FINISH
B	CONTACT	3 PCS	PhosphorBronze	MATTE Sn-plated
A	PEDESTAL	1 PCS	LCP	UL 94V-0, COLOR:BEIGE

<b>LEDsconn</b>			TITLE: 4.0mmPITCH 90°WAFER SMT TYPE		
X.±0.5	X.±5'	USE: CUSTOMER	PART NO.:		
.X±0.3	.X±2'				
.XX±0.25	.XX±1'	APPD: 邵敬和	DWG NO.:		
--	--	CHKD: 田峰			
⊕	⚠	UNITS: mm	DR: 吴丹平	SCALE 1 : 1	SHEET 1 / 1



Board Layout